

Stk:
Pz:
Pcs:

ART. 2102

WASSERHAHN - RUBINETTO - WATER TAP

Kunde-Cliente-Client

Datum-Data-Date

Wasserhahn mit Kreuzabsperrrventil,
Schlauchanschluss und Perlator (TYP A)

Rubinetto con valvola a croce,
attacco tubo e perlatore (TYP A)

Water tap with cross valve,
tube connection and perlator (TYP A)

ART.2002 VERLÄNGERT - PROLUNGATO - EXTENDED

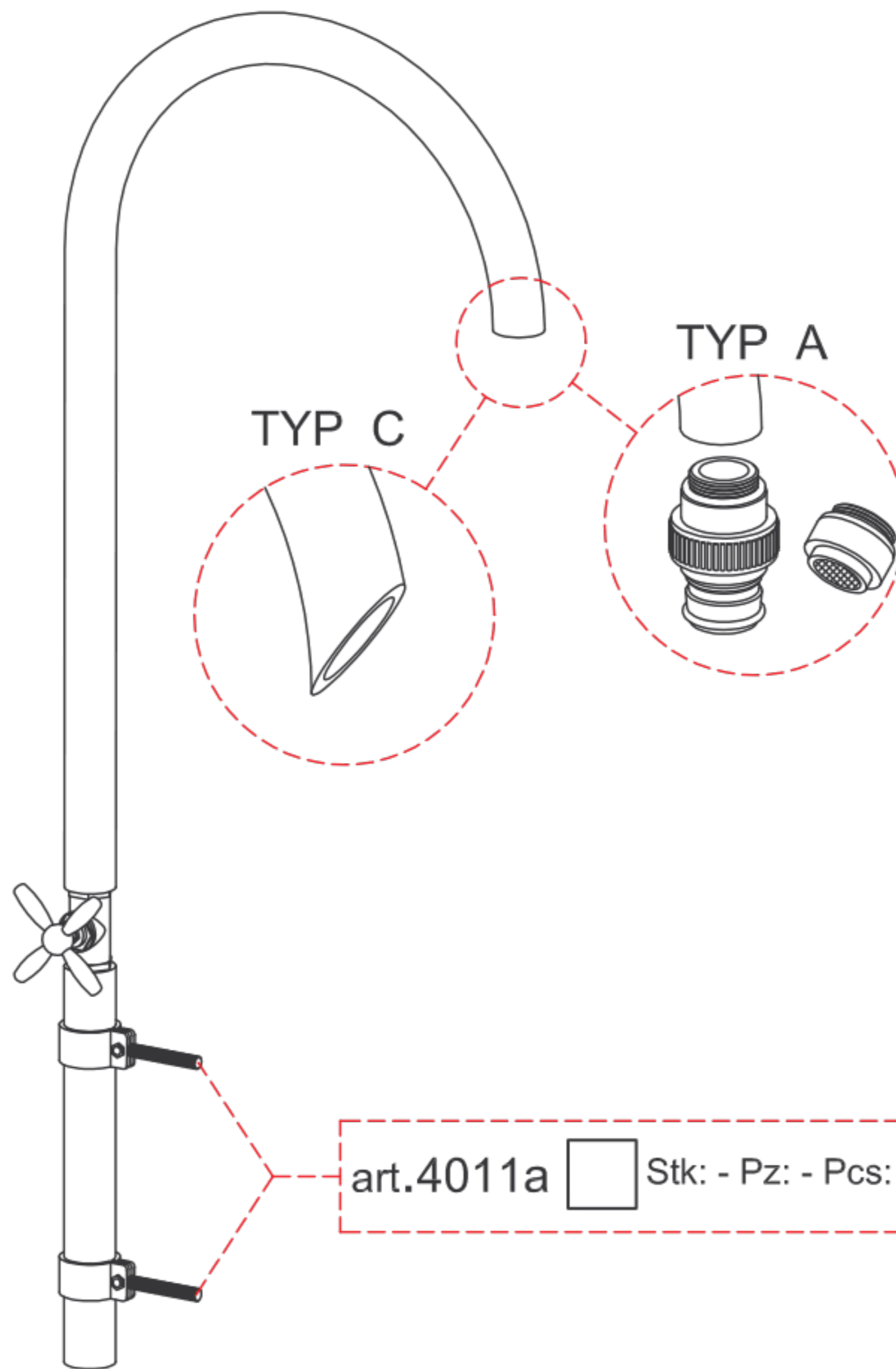
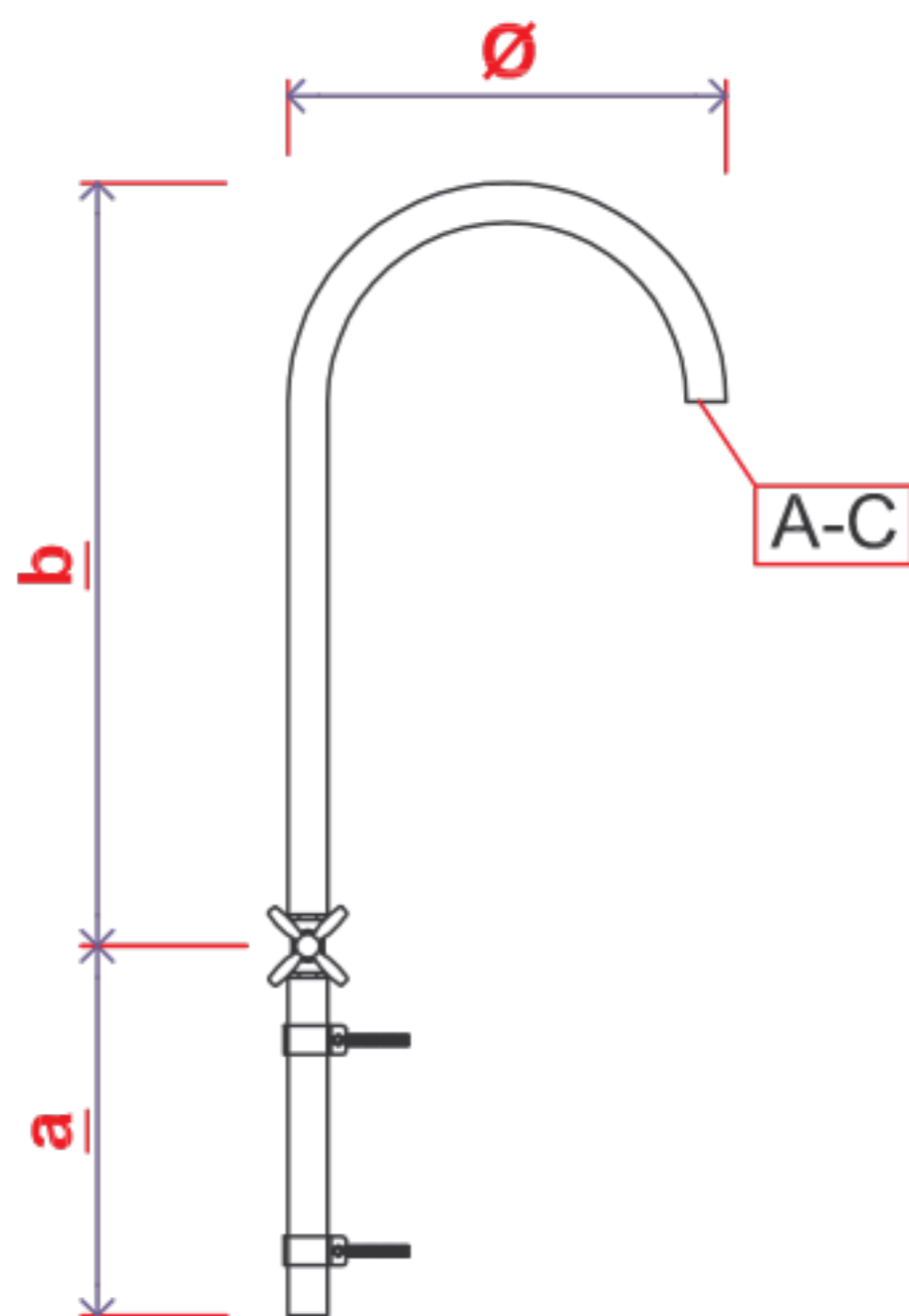
Ø = 19 cm

Ø = 25 cm

a = _____ cm

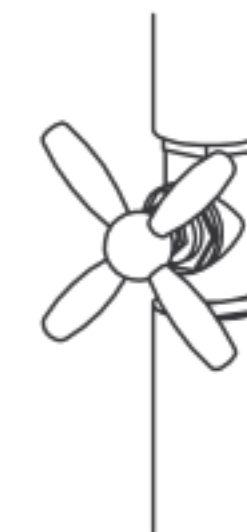
b = _____ cm

TYP



1/2" Innengewinde - Filetto interno - Inner Thread
Ø 26 mm Rohr - Tubo - Tube

Position
Posizione
Position



0° 90° 180° 270°

