

Stk:
Pz:
Pcs:

ART. 2101

WASSERHAHN - RUBINETTO - WATER TAP

Kunde-Cliente-Client

Datum-Data-Date

Wasserhahn ohne Absperrventil mit Schlauchanschluss und Perlator (TYP A)
Rubinetto senza valvola di chiusura con attacco tubo e perlatore (TYP A)
Water tap without plug valve with tube connection and perlator (TYP A)

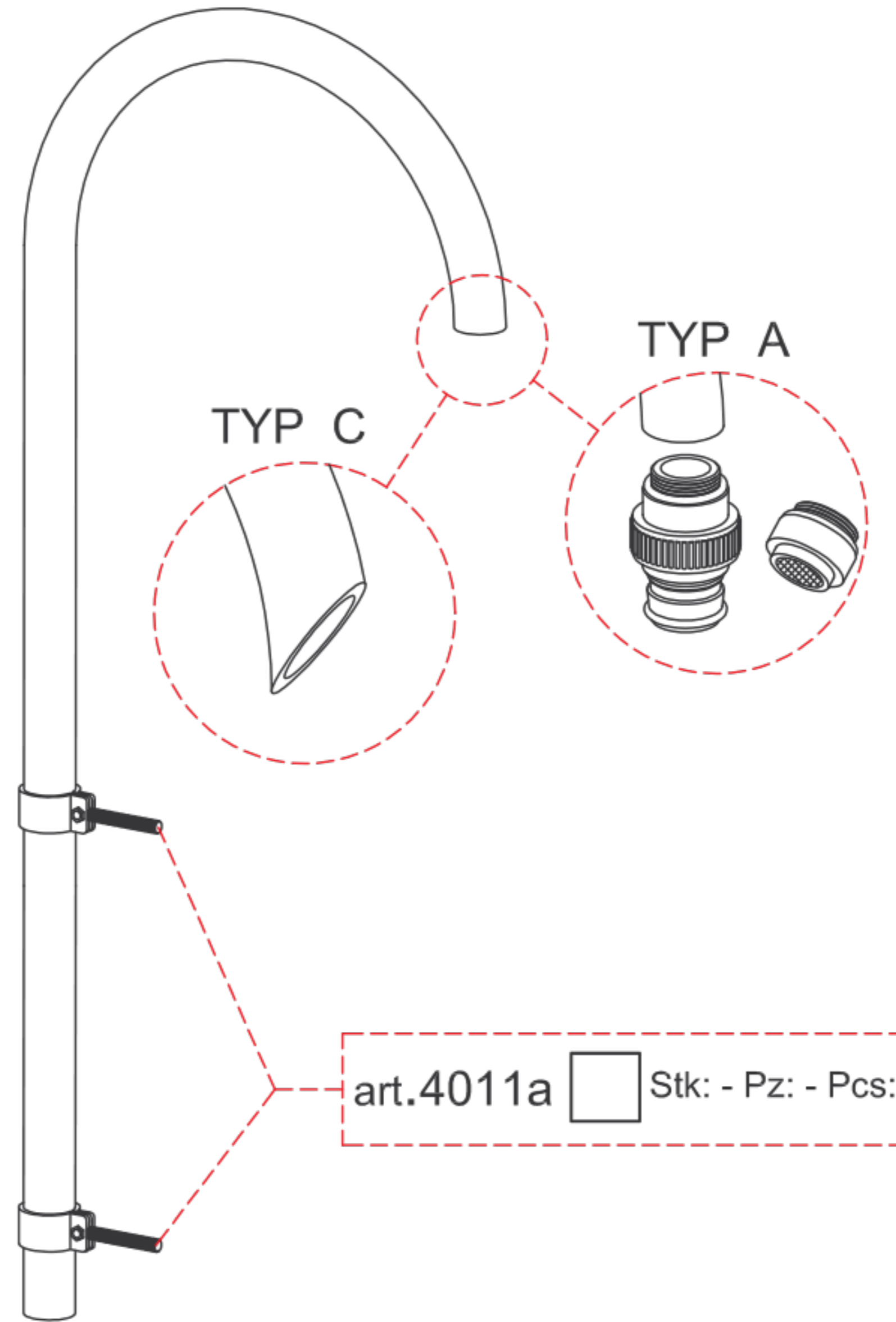
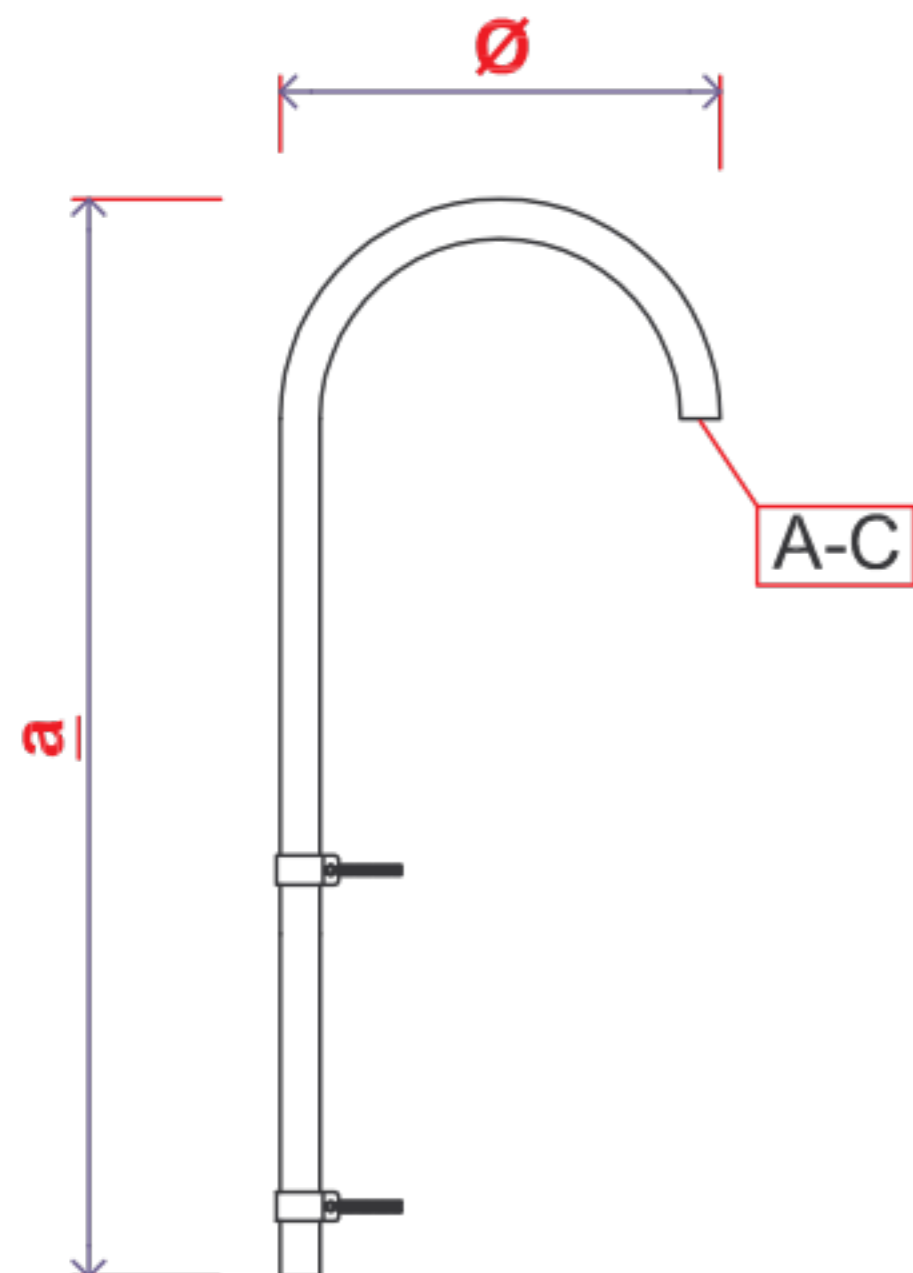
ART.2001 VERLÄNGERT - PROLUNGATO - EXTENDED

Ø = 19 cm

Ø = 25 cm

a = _____ cm

TYP



1/2" Innengewinde - Filetto interno - Inner Thread
Ø 26 mm Rohr - Tubo - Tube