

Stk:
Pz:
Pcs:

ART. 2094

WASSERHAHN - RUBINETTO - WATER TAP

Kunde-Cliente-Client

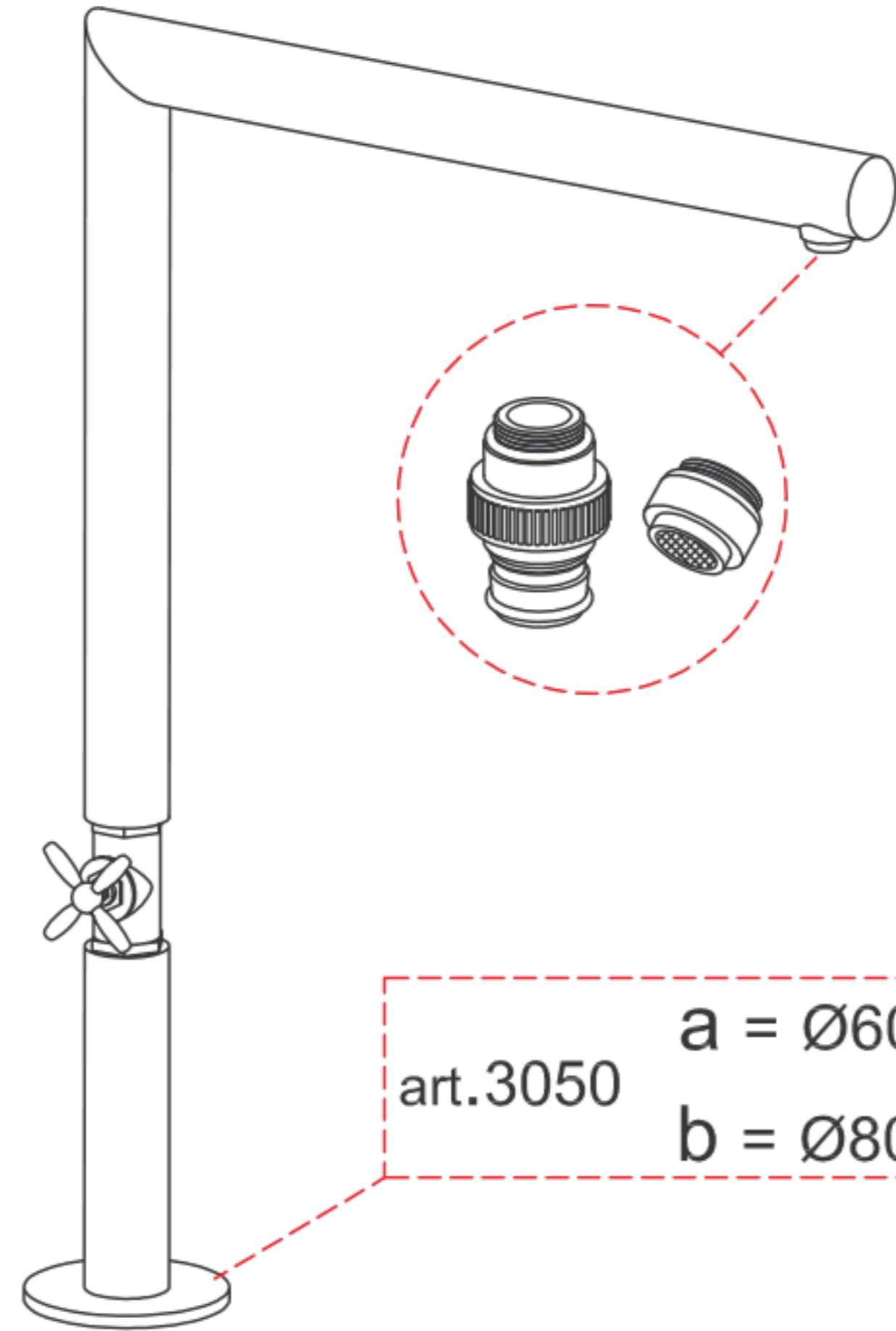
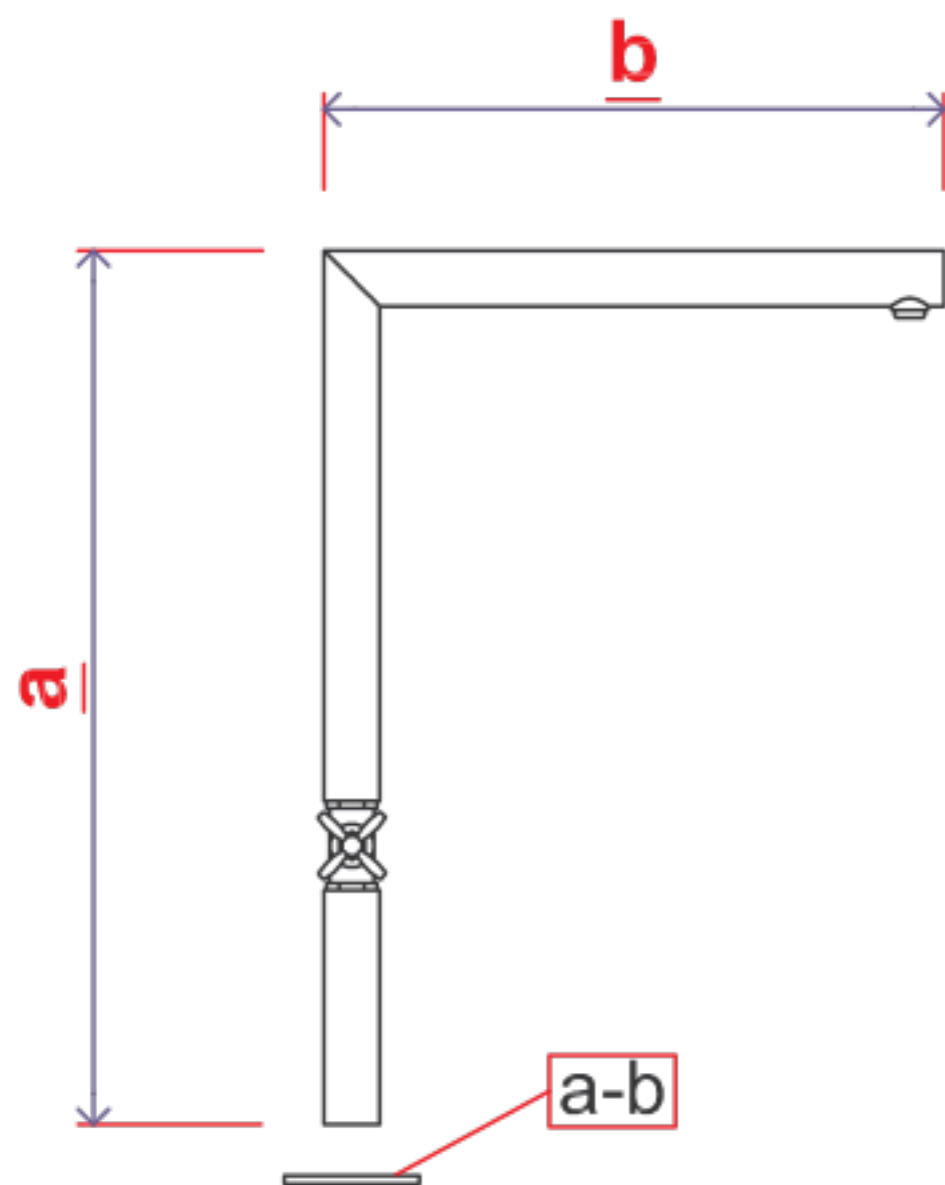
Datum-Data-Date

Wasserhahn mit Kreuzabsperrrventil,
Schlauchanschluss und Perlator
Rubinetto con valvola a croce,
attacco tubo e perlatore
Water tap with cross valve,
tube connection and perlator

a = _____ cm

b = _____ cm

3050



art.3050
 a = Ø60 mm
 b = Ø80 mm

3/4" Innengewinde - Filetto interno - Inner Thread
 Ø 33 mm Rohr - Tubo - Tube

Position
Posizione
Position

