

Stk:  
Pz:  
Pcs:

ART. 2091

WASSERHAHN - RUBINETTO - WATER TAP

Kunde-Cliente-Client

Datum-Data-Date

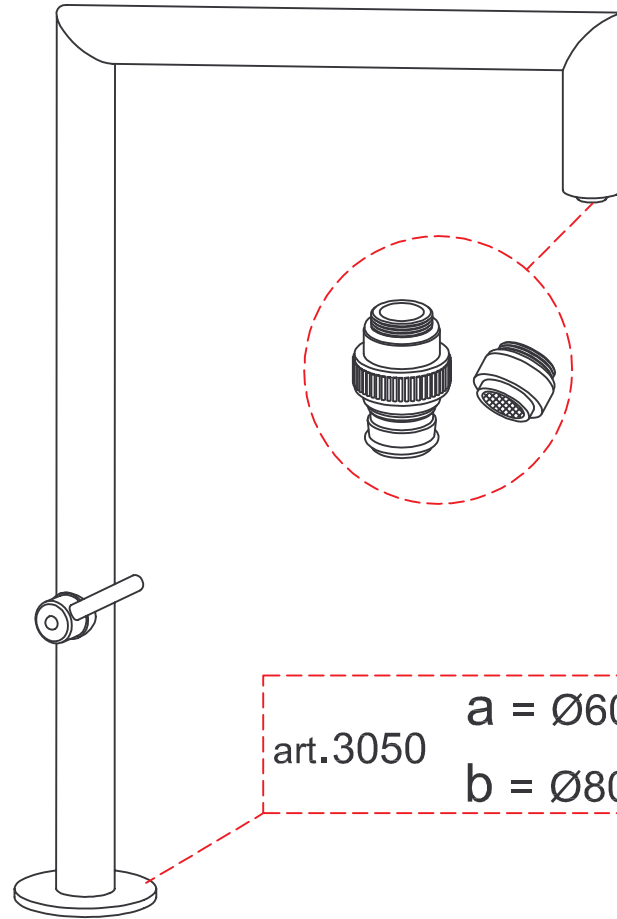
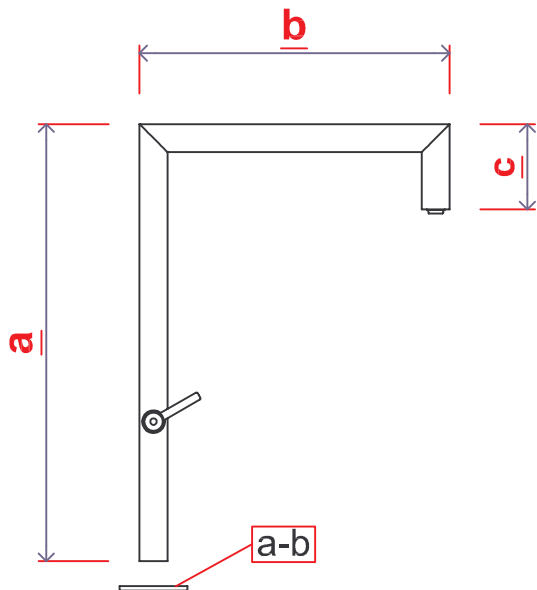
Wasserhahn mit Absperrventil,  
Schlauchanschluss und Perlator  
Rubinetto con valvola a leva,  
attacco tubo e perlatore  
Water tap with lever valve,  
tube connection and perlator

**a** = \_\_\_\_\_ cm

**b** = \_\_\_\_\_ cm

**c** = \_\_\_\_\_ cm

3050



art.3050  
**a** = Ø60 mm  
**b** = Ø80 mm

3/4" Innengewinde - Filetto interno - Inner Thread  
 Ø 33 mm Rohr - Tubo - Tube

Position  
Posizione  
Position

