

Stk:
Pz:
Pcs:

ART. 2090

WASSERHAHN - RUBINETTO - WATER TAP

Kunde-Cliente-Client

Datum-Data-Date

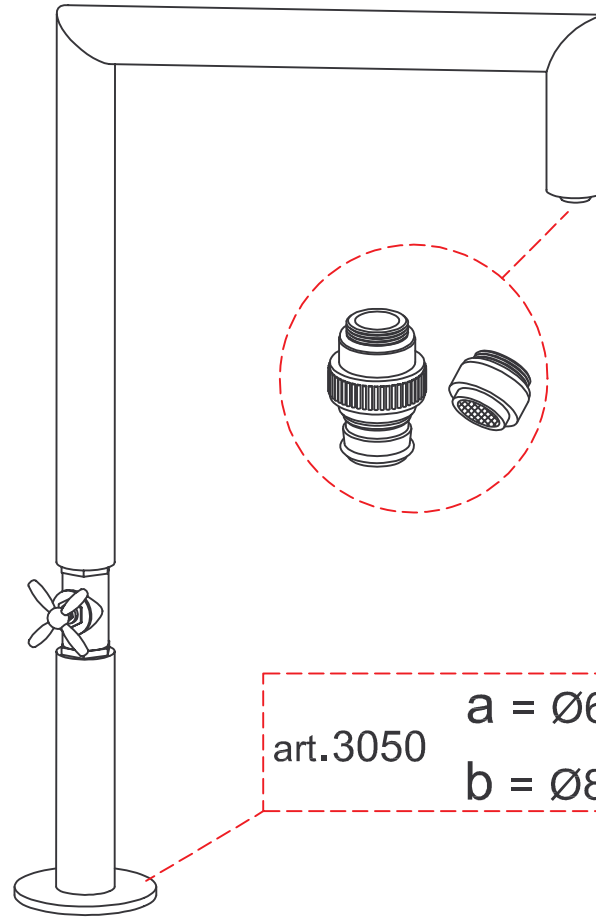
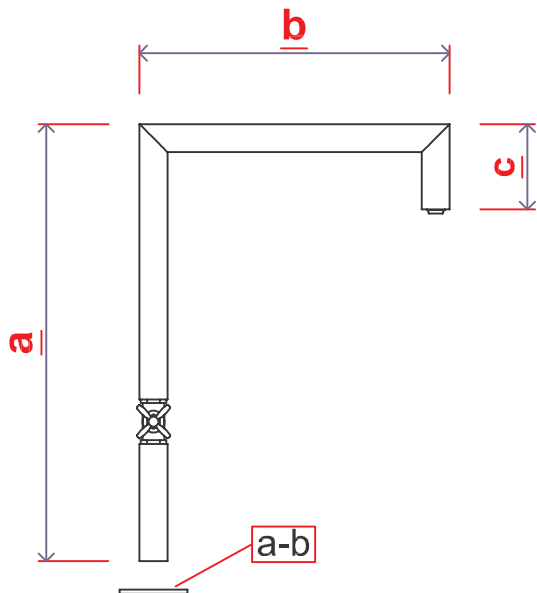
Wasserhahn mit Kreuzabsperrenteil,
Schlauchanschluss und Perlator
Rubinetto con valvola a croce,
attacco tubo e perlatore
Water tap with cross valve,
tube connection and perlator

a = _____ cm

b = _____ cm

c = _____ cm

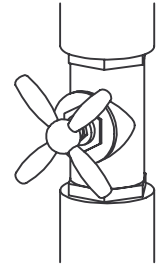
3050



art.3050
a = Ø60 mm
b = Ø80 mm

3/4" Innengewinde - Filetto interno - Inner Thread
Ø 33 mm Rohr - Tubo - Tube

Position
Posizione
Position



0° 90° 180° 270°

