

Stk:
Pz:
Pcs:

ART. 2070

WASSERHAHN - RUBINETTO - WATER TAP

Kunde-Cliente-Client

Datum-Data-Date

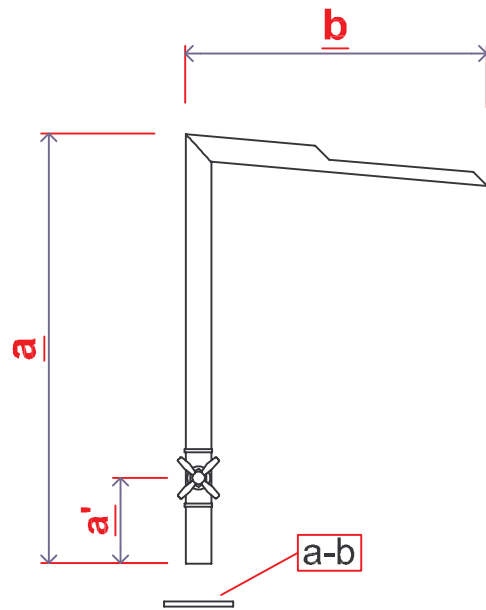
Wasserhahn mit sichtbarem Wasserlauf
und Kreuzabsperrenteil
Rubinetto con scorrimento d'acqua a vista
e valvola di chiusura a croce
Water tap with running water in sight
and cross plug valve

a = _____ cm

a' = _____ cm

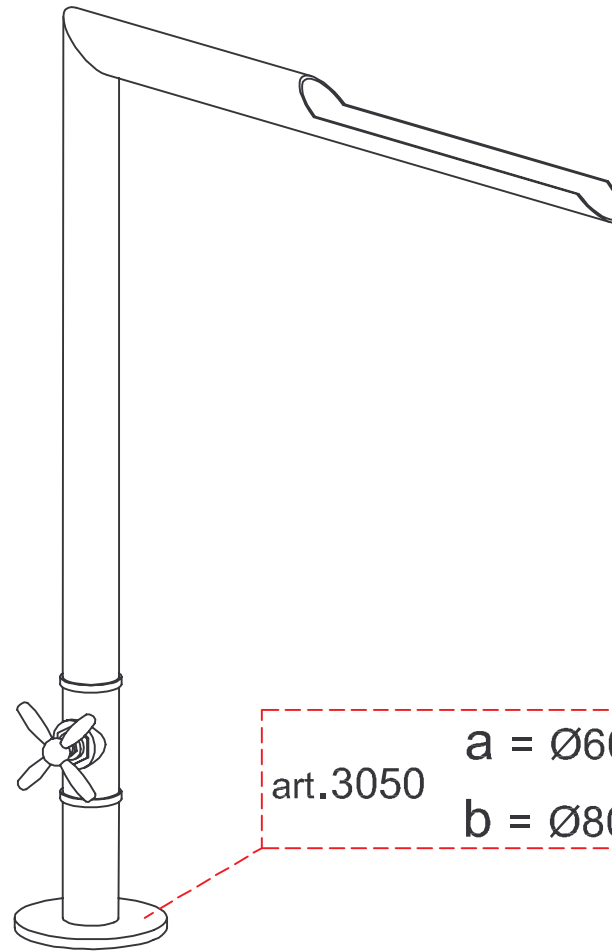
b = _____ cm

3050



Empfohlen - Consigliate - Recommended

a'12cm



3/4" Innengewinde - Filetto interno - Inner Thread

Position
Posizione
Position

